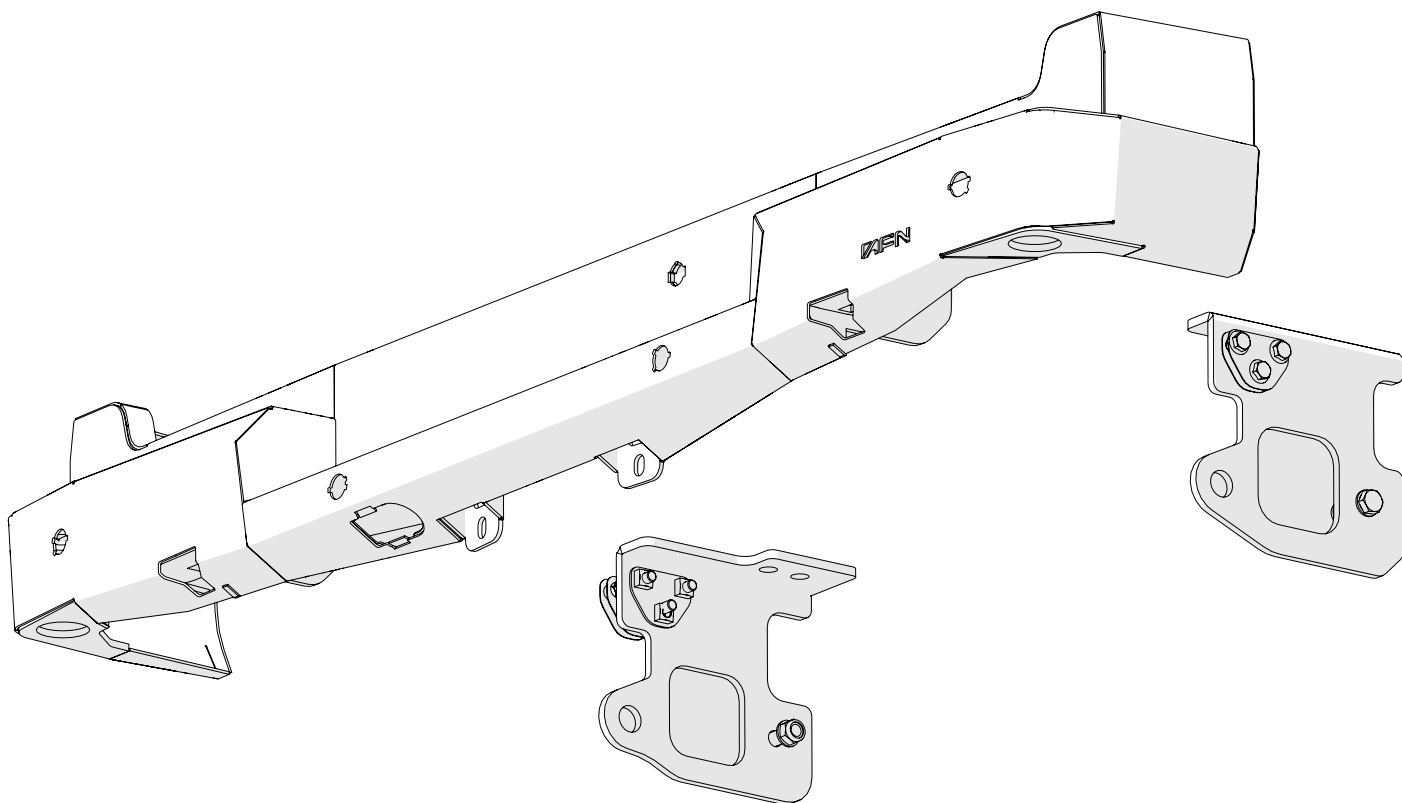




4 X 4 A C C E S S O R I E S

Fitting Instructions

Ford F-250



This manual contains the **Ford F-250** fitting instructions for:

Rear Bumper REF: **48002910**

AFN 4x4 Accessories

Product: **Rear Bumper**
Ref: **48002910**

Checklist	3
Product 48002910	
Fitting Instructions	4
Step 1	5
Step 2	6
Final Result	7

CHECKLIST

- In this section you have a checklist with all parts included for the installation of your AFN product
- This product should be installed as demonstrated in the product fitting instructions
- If verified that any component is damaged, please contact your nearest AFN distributor
- The specified parts will only fit in the models specified by AFN
- Do not modify any component of the product

This checklist is for product **48002910**.

REF.: 48002910

NUMBER	DESCRIPTION	REFERENCE	QTY
1	Rear Bumper	47002896	1x
2	Rear Bumper Bracket (Left Side)	46010294	1x
3	Rear Bumper Bracket (Right Side)	46010293	1x
4	Plate w/ Welded Bolts M12	47002533	2x
5	Shims	46010718	4x
6	Bolt M12x45	45001401	6x
7	Bolt M16x40	45000433	2x
8	Nylock Nut M16	45000162	2x
9	Washer M16	46010418	2x

FITTING INSTRUCTIONS

WARNING:

Before you begin installation, read all instructions thoroughly.
 Proper tools will improve the quality of installation and reduce the time required.

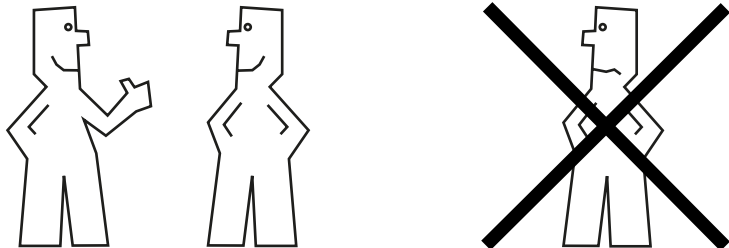
- This product should be installed as demonstrated in the *Product «Fitting Instructions»*;
- The specified parts, will only fit the models specified by **AFN**;
- Do not modify any component of the product;
- It is recommended that this product is installed by specialized and trained personnel;
- AFN doesn't take responsibility for changes made in the vehicle by its manufacturer;
- Work safely and use specialized tools at all times;
- **Always use protective gear.**



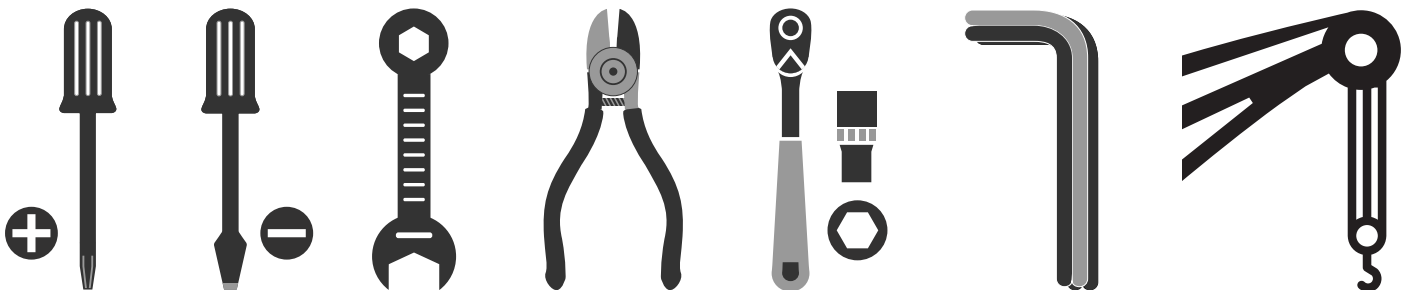
Size	Torque Nm	Torque lbft
M6	9Nm	7lbft
M8	22Nm	16lbft
M10	44Nm	32lbft
M12	77Nm	57lbft

Mouting Time

- 3 Hours
- 2 Persons (recommended)

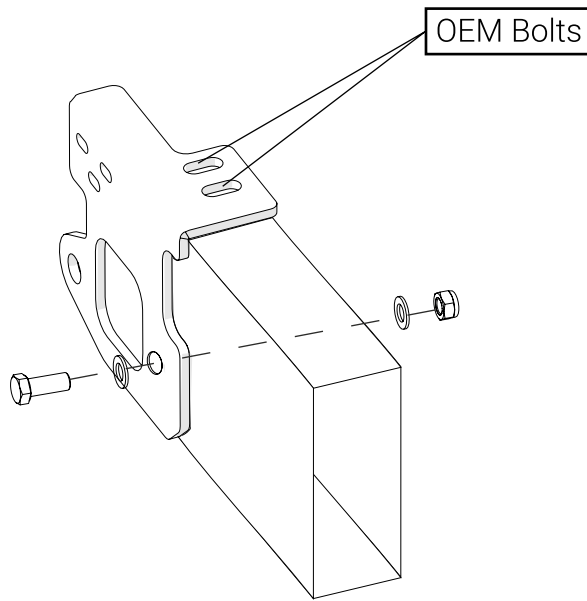
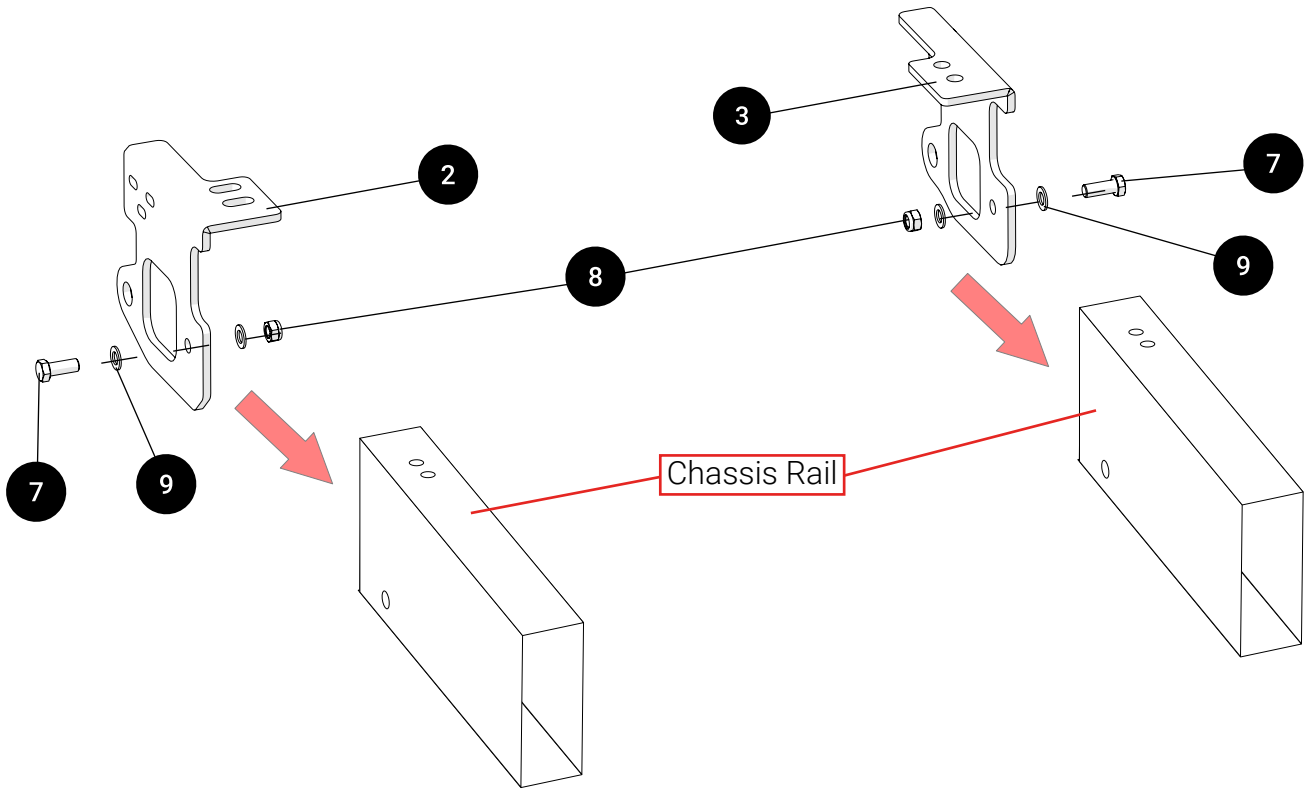


Tools Required

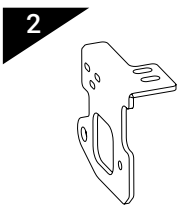


- Screwdriver star head
- Screwdriver flat head
- Wrench
- Wire cutter
- Ratchet wrench
- Allen wrench
- Crane

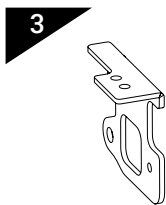
Step 1



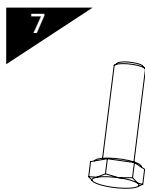
Parts Needed:



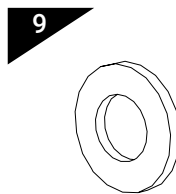
x1 46010294 Rear Bumper Bracket



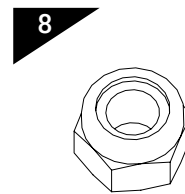
x1 46010293 Rear Bumper Bracket



x2 45000433 Bolt M16x40

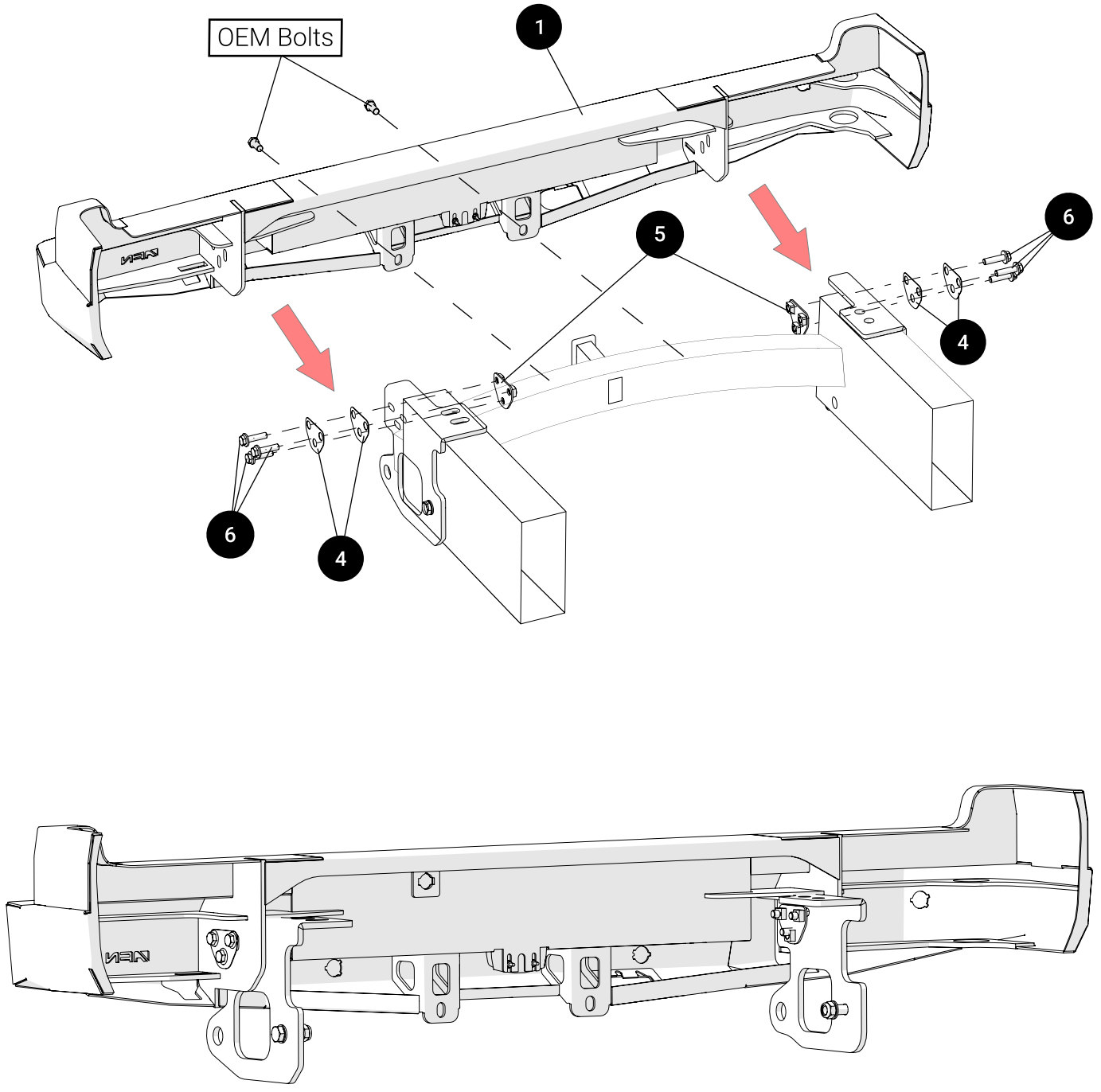


x4 45000161 Washer M16


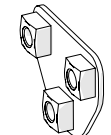

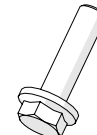


x2 45000162 NyLock Nut M16

Step 2



Parts Needed:

- | | | | |
|---|---|---|---|
| 1 | 4 | 5 | 6 |
|  |  |  |  |
| x1 47002896
Rear Bumper | x1 47002533
Plate w/ Welded Bolts
M12 | x1 46010718
Shims | x6 45001401
Bolt M12x45 |

Final Result