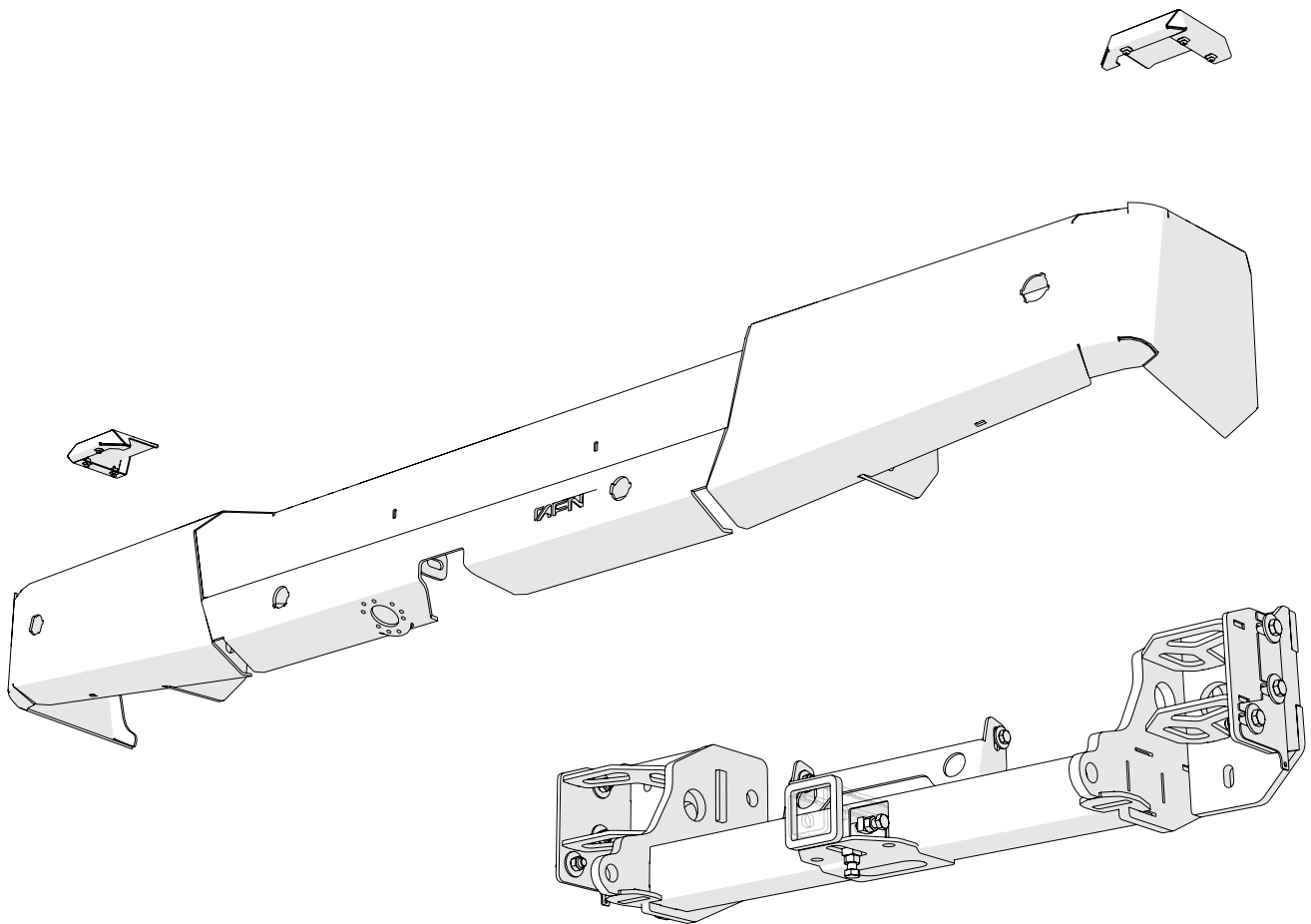




4 X 4 A C C E S S O R I E S

# Fitting Instructions

Ford F-150



This manual contains the **Mercedes Sprinter** fitting instructions for:

Rear Bumper REF: **48002911**

## **AFN 4x4 Accessories**

Product: **Rear Bumper**

Ref: **48002911**

<b>Checklist</b>	<b>3</b>
Product 48002911	
<b>Fitting Instructions</b>	<b>4</b>
Step 1	<b>5</b>
Step 2	<b>6</b>
Step 3	<b>7</b>
Step 4	<b>8</b>
Step 5	<b>9</b>
Final Result	<b>10</b>

# CHECKLIST

- In this section you have a checklist with all parts included for the installation of your AFN product
- This product should be installed as demonstrated in the product fitting instructions
- If verified that any component is damaged, please contact your nearest AFN distributor
- The specified parts will only fit in the models specified by AFN
- Do not modify any component of the product

This checklist is for product **48002911**.

## REF.: 48002911

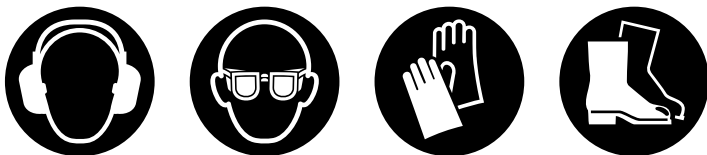
NUMBER	DESCRIPTION	REFERENCE	QTY
1	Rear Bumper	47002895	1x
2	Rear Bumper Bracket w/ trailer hitch	47002730	1x
3	Trim (Left Side)	46011198	1x
4	Trim (Right Side)	46011197	1x
5	Rear Bumper Shim	46011460	2x
6	Bolt M12x40	45001544	6x
7	Washer M12 (big)	46012035	2x
8	Nylock Nut M12	46012034	2x
9	Lock Nut M12	46010418	2x
10	Bolt M12x35	47000201	1x
11	Bolt M10x30	45000066	8x
12	Washer M10	45001253	20x
13	Nylock Nut M10	47002431	4x
14	Bolt M3,5x16	45000044	8x
15	Plastic Nut M3,5	45000057	8x

# FITTING INSTRUCTIONS

**WARNING:**

Before you begin installation, read all instructions thoroughly.  
 Proper tools will improve the quality of installation and reduce the time required.

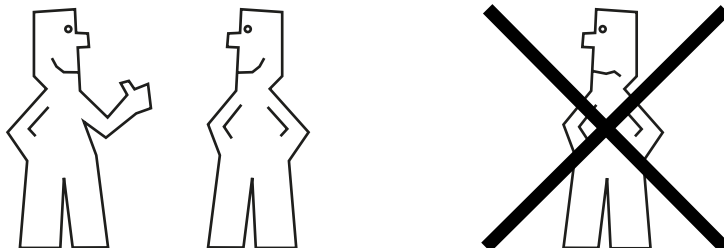
- This product should be installed as demonstrated in the *Product «Fitting Instructions»*;
- The specified parts, will only fit the models specified by **AFN**;
- Do not modify any component of the product;
- It is recommended that this product is installed by specialized and trained personnel;
- AFN doesn't take responsibility for changes made in the vehicle by its manufacturer;
- Work safely and use specialized tools at all times;
- **Always use protective gear.**



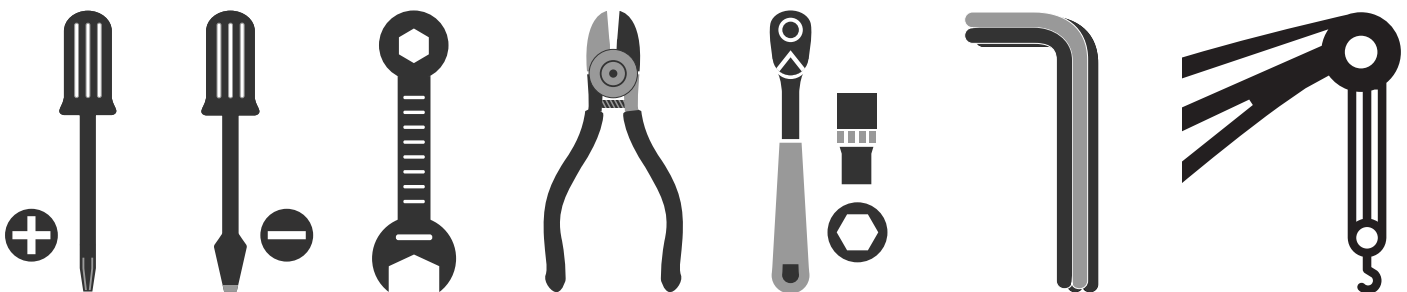
Size	Torque Nm	Torque lbft
M6	9Nm	7lbft
M8	22Nm	16lbft
M10	44Nm	32lbft
M12	77Nm	57lbft

## Mouting Time

- 3 Hours
- 2 Persons (recommended)

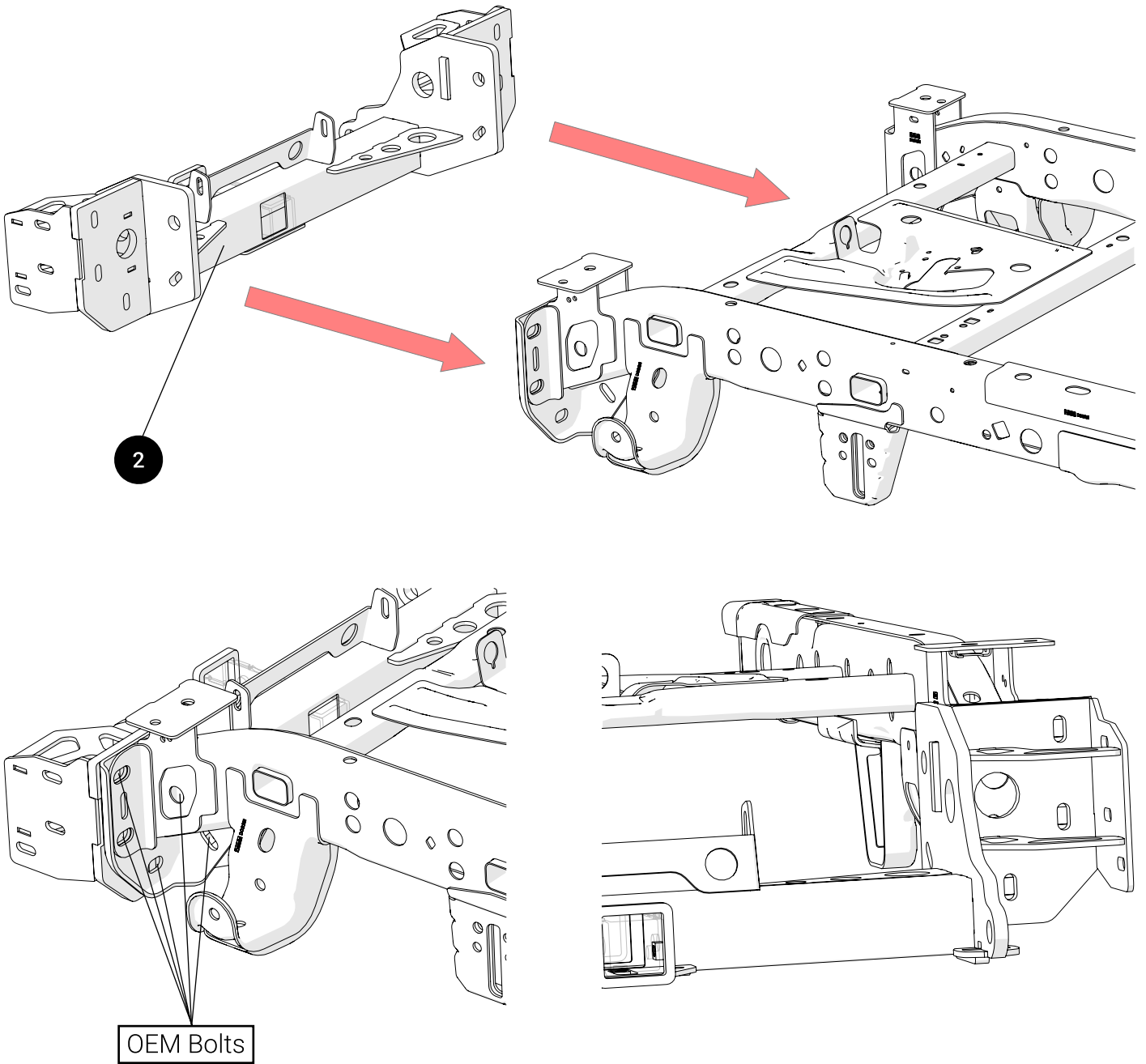


## Tools Required



- Screwdriver star head
- Screwdriver flat head
- Wrench
- Wire cutter
- Ratchet wrench
- Allen wrench
- Crane

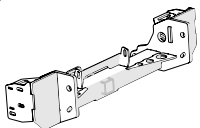
Step 1



OEM Bolts

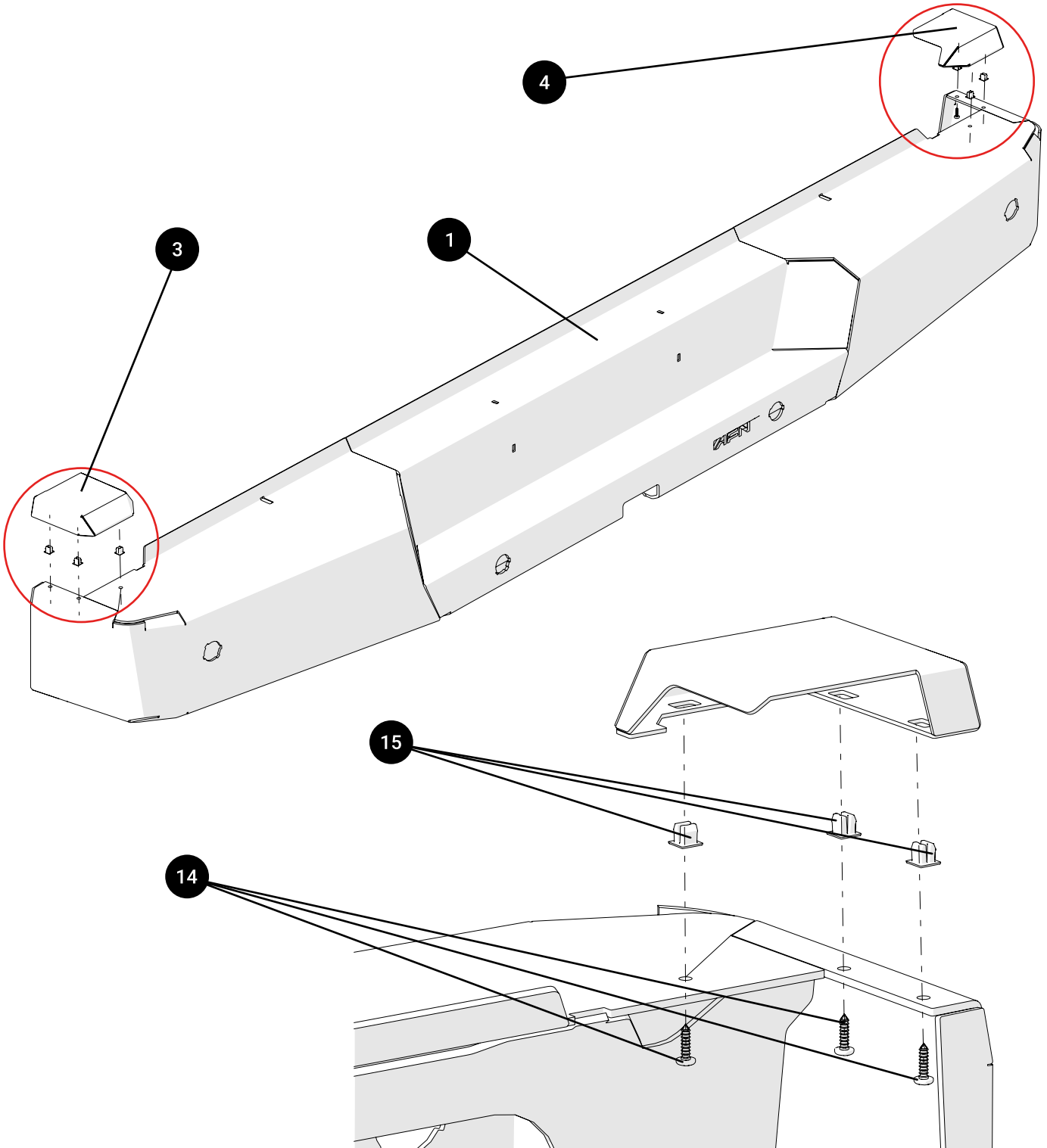
Parts Needed:

2

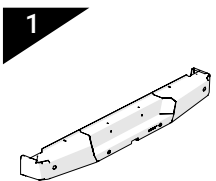


x1 47002730  
Rear Bumper Bracket  
w/ trailer hitch

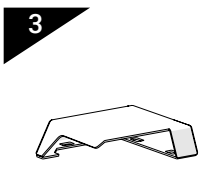
**Step 2**



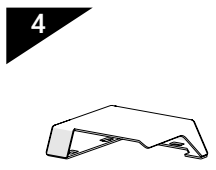
**Parts Needed:**



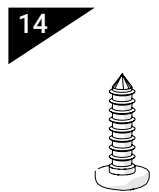
x1 47002428  
Rear Bumper



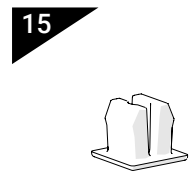
x1 47002430  
Trim (Left side)



x1 47002547  
Trim (Right side)

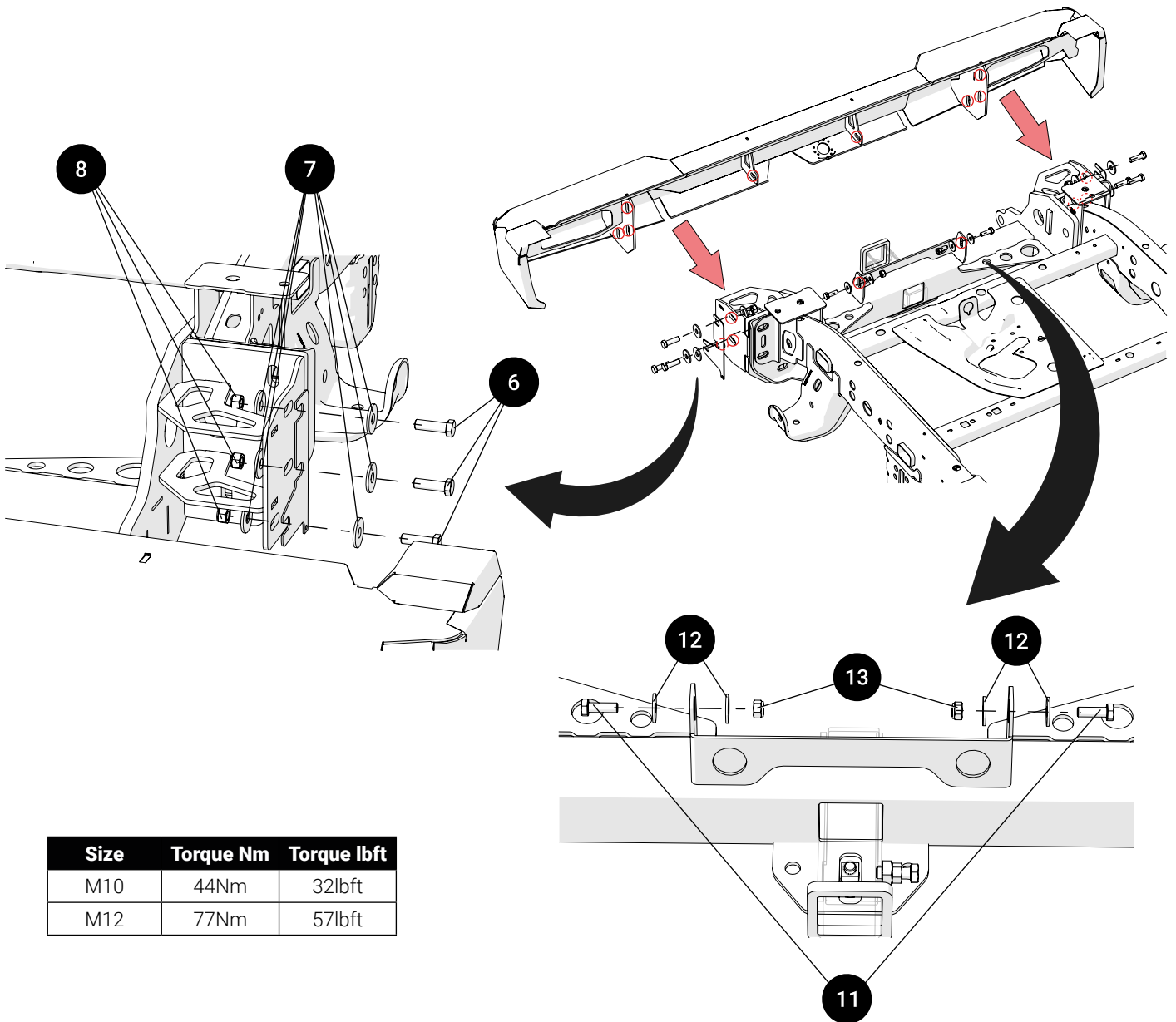


x4 45001123  
Bolt M3,5x16



x8 45001123  
Plastic Nut

Step 3



Size	Torque Nm	Torque lbft
M10	44Nm	32lbft
M12	77Nm	57lbft

Parts Needed:

- |                            |  |                               |                            |                                  |                               |
|----------------------------|--|-------------------------------|----------------------------|----------------------------------|-------------------------------|
| <b>1</b>                   | <b>2</b>   | <b>5</b>                      | <b>6</b>                   | <b>7</b>                         | <b>8</b>                      |
|                            |  |                               |                            |                                  |                               |
| x1 47002895<br>Rear Bumper | x1 47002730<br>Rear Bumper Bracket<br>w/ trailer hitch | x2 46011460<br>Shim 2mm       | x6 45001544<br>Bolt M12x40 | x12 45001250<br>Washer M12 (big) | x6 45001558<br>NyLock Nut M12 |
| <b>1</b>                   | <b>2</b>   | <b>5</b>                      |                            |                                  |                               |
|                            |  |                               |                            |                                  |                               |
| x2 45001519<br>Bolt M10x30 | x4 45001251<br>Washer M10 (big)                        | x2 45001554<br>NyLock Nut M10 |                            |                                  |                               |

Final Result